
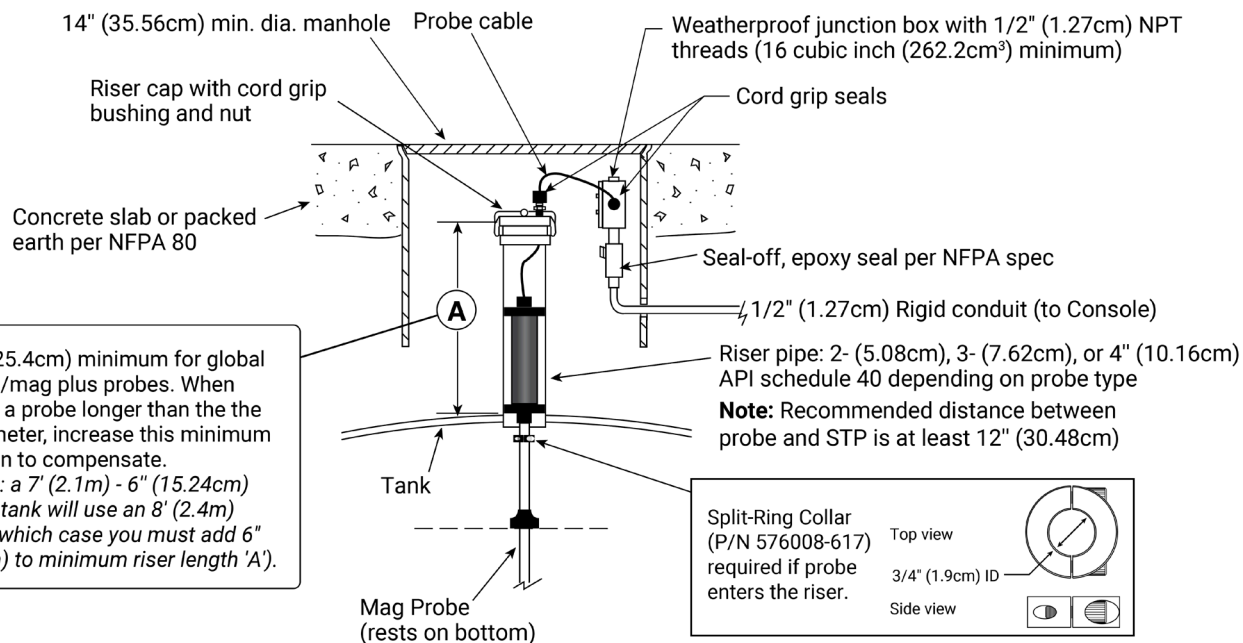


Probe Description & Product Application	Stainless Steel Mag Plus In-Tank Probe for Monitoring Jet Fuel Products with Water Detection in both USTs and ASTs					
Specific Products Monitored / Product Compatibility	Part # & Description Leak Detection with Water Detection 1. 846397-1XX Stainless Steel (SS) with High Grade Polymer (HPG) Canister with Water Detection & 0.1GPH Testing Capability 2. 846397-2XX (SS) with (HPG) Canister with Water Detection & 0.2GPH Testing Capability 3. 846391-1XX (SS) with Aluminum (AL) Canister with Water Detection & 0.1GPH Testing Capability 4. 846391-2XX (SS) with (AL) Canister with Water Detection & 0.2GPH Testing Capability No Leak Detection/Inventory Only Probes 1. 846397-3XX (SS) with (HPG) Canister with Water Detection & No Leak Detection/Inventory Only 2. 846391-3XX (SS) with (AL) Canister with Water Detection & No Leak Detection/Inventory Only	Approved Products Jet Fuel (incl JP8) Jet Fuel (JP10)	Monitoring Functionality Options A. 0.1 GPH static in-tank testing for USTs only B. 0.2GPH static in-tank testing for USTs only C. 0.2 GPH Continuous Statistical Leak Detection (CSLD) for USTs only D. No Leak Detection / Inventory Only for USTs & ASTs E. BIR – Accuchart for USTs only			
Console Compatibility	Maximum Probes / Console	Probe Interface Modules				
TLS-450PLUS (8600 Series)	64	Module Part # 332812-001	Module Description Universal Sensor Module (USM) Interface for Probes, Sensors, and DPLLD	# of Modules per Console Up to 4	# of Probe Inputs per Module 16	Availability Sold Separately (either Factory Installed or as a Spare Module)
TLS4i (8601 Series)	4	No module required, probe input capability factory installed				
TLS4c (8601 Series)	2					
TLS-350/R/PLUS	16	329356-002	4-Input Probe Interface Module	4	4	Sold Separately (either Factory Installed or as a Spare Module)
TLS-300i	4	No Module required, probe input capability factory installed				
TLS-300C	2					
Float Installation Kits	Part # & Description		Float Size	Cable Lengths	Min/Max Probe Length	Min/Max Chemical Tank Diameter
		846400-0X1 Mag Plus Diesel Float Kit	4" (10.16cm)	5', 10', 20'	48" (1.2m) - 144" (3.66m)	N/A
		846400-3X1 Mag Plus Diesel Float Kit	3" (7.62cm)			
		846400-1X1 Mag Plus Diesel Float Kit	2" (5.08cm)			
Other Installation Accessories	312020-952 4" (10.16cm) NPT Riser Cap and Ring Kit for In-Tank Probes 330020-282 4" (10.16cm) Threaded NPT Riser Cap for In-Tank Probes					

Specifications	Product	Water
Measurement Accuracy	+/- 0.0300" (0.762mm)	+/- 0.0300" (0.762mm)
Resolution - One Sample Reading	+/- 0.002857" (0.072571mm)	+/- 0.002857" (0.072571mm)
Minimum Measurement - 2" (5.08cm) Float Kits	3.23" (8.2cm)	0.867" (2.2cm)
Minimum Measurement - 3" (7.62cm) Float Kits	3.04" (7.72cm)	0.630" (1.6cm)
Minimum Measurement - 4" (10.16cm) Float Kits	3.04" (7.72cm)	0.630" (1.6cm)
Operating (Working) Temperature Range	-40 to +122°F (-40 to +50°C)	
Third Party Evaluation / Agency Listings & Links	http://www.nwglde.org/evals/veeder_root_j.html	
Product Installation Guide Link	https://www.veeder.com/us/technical-document-library	

Example Installation



879-13.eps