

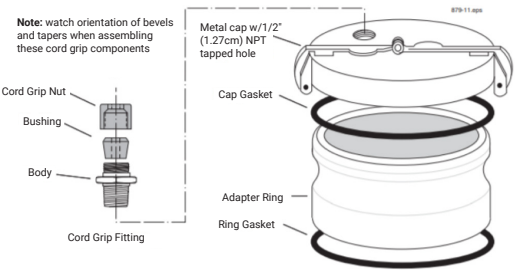
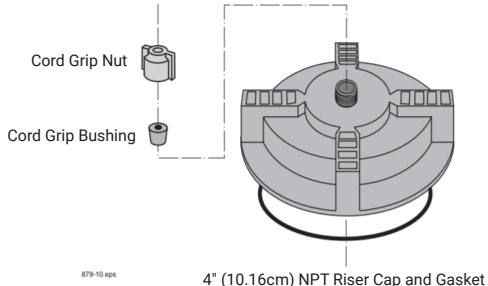
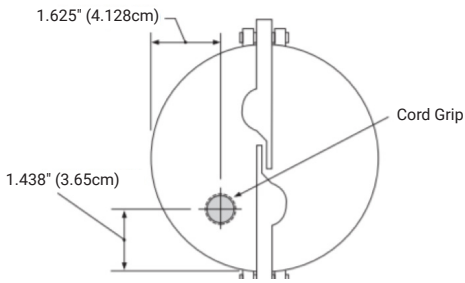
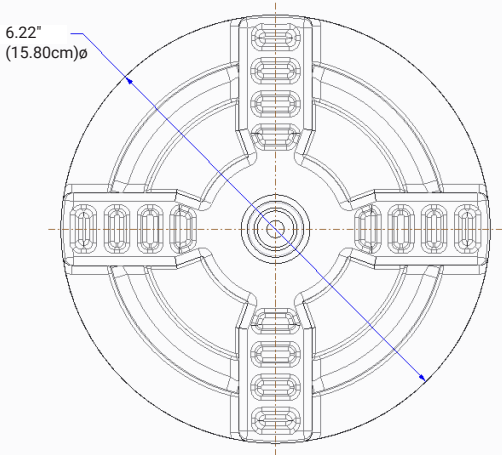

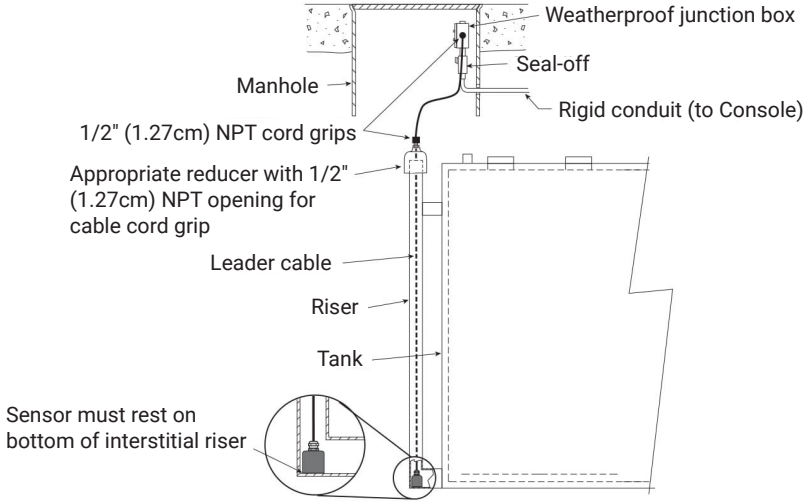
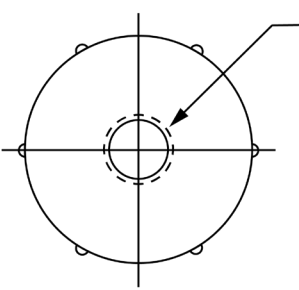
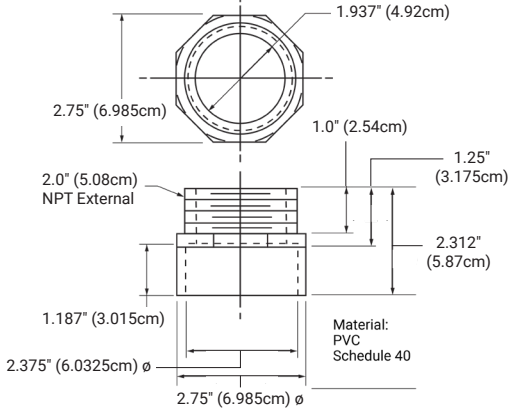


Probe & Sensor Accessories	Mag Probe Cap & Ring Kit																									
Descriptions	4" (10.16cm) Cap & Ring Kits for In-Tank Probes		4" (10.16cm) Threaded NPT Riser Cap Kit for In-Tank Probes																							
Image																										
Probe Accessories	Part Number	Description	Part Number	Description																						
	330020-583	4" (10.16cm) BSP Brass Cap and Ring Kit for In-Tank Probes	330020-282	4" (10.16cm) Threaded NPT Riser Cap for In-Tank Probes																						
	312020-952	4" (10.16cm) NPT Riser Cap and Ring Kit for In-Tank Probes																								
Mag Probe Illustration	<p>Note: watch orientation of bevels and tapers when assembling these cord grip components</p> 																									
Cap Kit Contents	<table border="1" data-bbox="480 1157 878 1356"> <thead> <tr> <th>Qty.</th> <th>Description</th> </tr> </thead> <tbody> <tr> <td>1</td> <td>Adapter ring</td> </tr> <tr> <td>1</td> <td>Adapter ring gasket</td> </tr> <tr> <td>1</td> <td>Cap</td> </tr> <tr> <td>1</td> <td>Cap gasket</td> </tr> <tr> <td>1</td> <td>Group Cord Grip</td> </tr> </tbody> </table>		Qty.	Description	1	Adapter ring	1	Adapter ring gasket	1	Cap	1	Cap gasket	1	Group Cord Grip	<table border="1" data-bbox="1052 1171 1433 1339"> <thead> <tr> <th>Qty.</th> <th>Description</th> </tr> </thead> <tbody> <tr> <td>1</td> <td>Cap Riser</td> </tr> <tr> <td>1</td> <td>Gasket</td> </tr> <tr> <td>1</td> <td>Bushing - Cord Grip</td> </tr> <tr> <td>1</td> <td>Nut - Cord Grip</td> </tr> </tbody> </table>		Qty.	Description	1	Cap Riser	1	Gasket	1	Bushing - Cord Grip	1	Nut - Cord Grip
Qty.	Description																									
1	Adapter ring																									
1	Adapter ring gasket																									
1	Cap																									
1	Cap gasket																									
1	Group Cord Grip																									
Qty.	Description																									
1	Cap Riser																									
1	Gasket																									
1	Bushing - Cord Grip																									
1	Nut - Cord Grip																									
Design Specifications Inches (millimeters)																										
Where Used	4" (10.16cm) Fiberglass or Steel Risers for Magnetostrictive Probe protection		4" (10.16cm) Fiberglass or Steel Risers for Magnetostrictive Probe protection																							
Functionality	Ensures seal to prevent water intrusion and Vapor leakage		Ensures seal to prevent water intrusion and Vapor leakage																							

Sensor Accessories	Veeder-Root offers several cap kits for Interstitial sensor applications. Each Cap system is unique for the specified sensor.	
Descriptions	2" (5.08cm) Interstitial Sensor Riser Cap and Adapter Kit	
Image		
Part Number	312020-928	
Illustration	 <p>Weatherproof junction box</p> <p>Manhole</p> <p>Seal-off</p> <p>Rigid conduit (to Console)</p> <p>1/2" (1.27cm) NPT cord grips</p> <p>Appropriate reducer with 1/2" (1.27cm) NPT opening for cable cord grip</p> <p>Leader cable</p> <p>Riser</p> <p>Tank</p> <p>Sensor must rest on bottom of interstitial riser</p>	
Cap Kit Contents	328943-001	Pipe Cap
	514100-311	2" (5.08cm) NPT Male Adapter PVC, Schedule 40
Design Specifications	 <p>.500" (1.27cm) NPT Internal</p>	 <p>1.937" (4.92cm)</p> <p>2.75" (6.985cm)</p> <p>1.0" (2.54cm)</p> <p>1.25" (3.175cm)</p> <p>2.0" (5.08cm) NPT External</p> <p>2.312" (5.87cm)</p> <p>1.187" (3.015cm)</p> <p>2.375" (6.0325cm) ϕ</p> <p>2.75" (6.985cm) ϕ</p> <p>Material: PVC Schedule 40</p>
Where Used	Interstitial sensors for double-walled tanks	

Notice

Veeder-Root makes no warranty of any kind with regard to this publication, including, but not limited to, the implied warranties of merchantability and fitness for a particular purpose.

Veeder-Root shall not be liable for errors contained herein or for incidental or consequential damages in connection with the furnishing, performance, or use of this publication.

Veeder-Root reserves the right to change system options or features, or the information contained in this publication.

This publication contains proprietary information which is protected by copyright. All rights reserved. No part of this publication may be photocopied, reproduced, or translated to another language without the prior written consent of Veeder-Root.

Example Illustrations

Illustrations used in this guide for example sensor installations may contain components that are customer supplied and not included with the sensor. Please check with your Veeder-Root Distributor for recommended installation accessories.

Third Party Evaluations

Third party evaluations of the Veeder-Root sensors contained in this application guide can be found under the Veeder-Root vendor name on the National Work Group on Leak Detection Evaluations (NWGLDE) website:

<http://www.nwglde.org>