
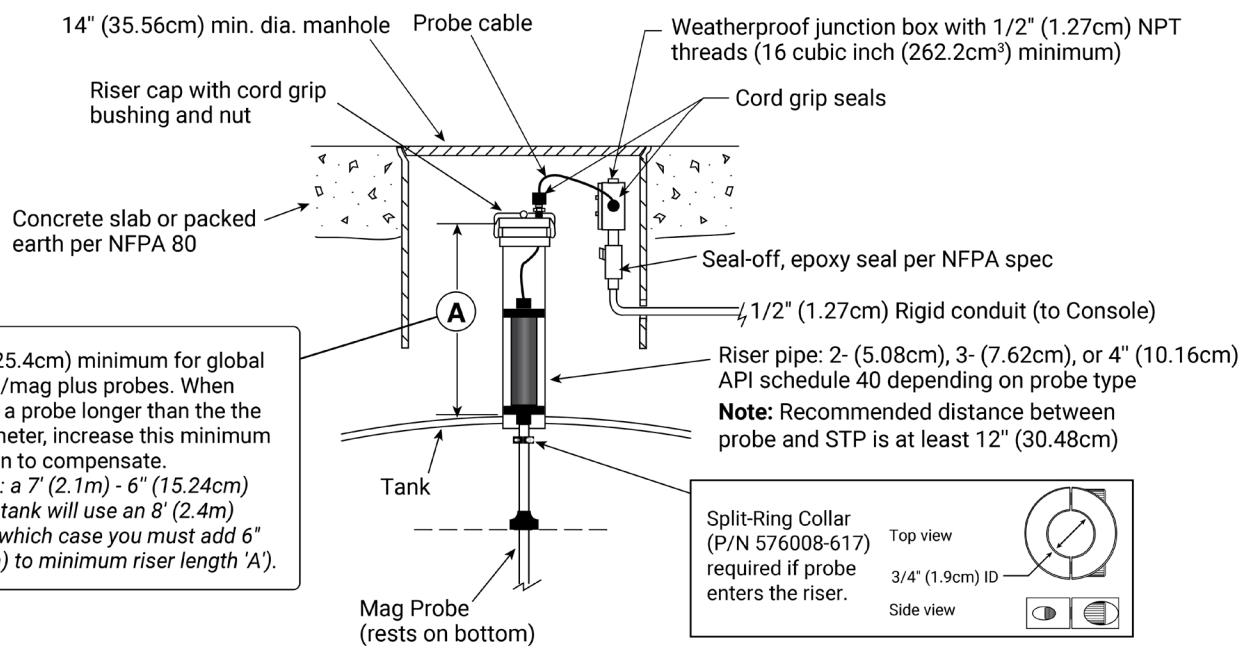


Probe Description & Product Application	Mag Plus In-Tank Probe for Monitoring Light & Heavy Oil Products with & without Water Detection in both USTs and ASTs					
Specific Products Monitored / Product Compatibility	Part # & Description	Approved Products	Monitoring Functionality Options			
	No Leak Detection/Inventory Only Probes with Water Detection 1. 846397-3XX Stainless Steel (SS) In-Tank Probe with High Grade Polymer (HGP) Canister with Water Detection & No Leak Detection/Inventory Only, UL 2. 846391-3XX SS In-Tank Probe with Aluminum (AL) Canister with Water Detection & No Leak Detection/Inventory Only, UL	Motor Oil	No Leak Detection / Inventory Only			
		Gear Oil, 90W				
		Transmission Fluid				
		Bio Diesel (High Density)				
		Fuel Oil #4				
		Toluene				
	No Leak Detection/Inventory Only Probes with No Water Detection 1. 846397-6XX SS In-Tank Probe with HGP Canister with No Water Detection & No Leak Detection/Inventory Only, UL 2. 846391-6XX SS In-Tank Probe with AL Canister with No Water Detection & No Leak Detection/Inventory Only, UL					
Console Compatibility	Maximum Probes / Console	Probe Interface Modules				
		Module Part #	Module Description	# of Modules per Console	# of Probe Inputs per Module	Availability
TLS-450PLUS (8600 Series) with TLS-XB installed (3 max per system)	64	332812-001	Universal Sensor Module (USM) Interface for Probes, Sensors, and DPLLD	Up to 4	16	Sold Separately (either Factory Installed or as a Spare Module)
TLS4i (8601 Series)	4	No module required, probe input capability factory installed				
TLS4c (8601 Series)	2					
TLS-350/R/PLUS	16	329356-002	4-Input Probe Interface Module	4	4	Sold Separately (either Factory Installed or as a Spare Module)
TLS-300i	4	No module required, probe input capability factory installed				
TLS-300C	2					

Part # & Description	Float Size	Cable Lengths	Min/Max Probe Length
Float Installation Kits			
846400-0X4 Mag Plus Alternative Fluids Float Kit - No Water Float	4" (10.16cm)	5' (1.5m), 10' (3.05m), 20' (6.1m)	48" (1.2m) - 144" (3.66m)
846400-3X4 Mag Plus Alternative Fluids Float Kit - No Water Float	3" (7.62cm)		
846400-1X4 Mag Plus Alternative Fluids Float Kit - No Water Float	2" (5.08cm)		
846400-0X1 Mag Plus Diesel Float Kit	4" (10.16cm)		
846400-3X1 Mag Plus Diesel Float Kit	3" (7.62cm)		
846400-1X1 Mag Plus Diesel Float Kit	2" (5.08cm)		
Other Installation Accessories	312020-952 4" NPT Riser Cap and Ring Kit for In-Tank Probes 330020-282 4" Threaded NPT Riser Cap for In-Tank Probes		
Specifications	Product	Water	
Measurement Accuracy	+/- 0.0300" (0.762mm)	+/- 0.0300" (0.762mm)	
Resolution - One Sample Reading	+/- 0.002857" (0.072571mm)	+/- 0.002857" (0.072571mm)	
Minimum Measurement - 2" (5.08cm) Float Kits	3.23" (8.2cm)	0.867" (2.2cm)	
Minimum Measurement - 3" (7.62cm) Float Kits	3.04" (7.72cm)	0.630" (1.6cm)	
Minimum Measurement - 4" (10.16cm) Float Kits	3.04" (7.72cm)	0.630" (1.6cm)	
Operating (Working) Temperature Range	-40 to +122°F (-40 to +50°C)		
Third Party Evaluation / Agency Listings & Links	http://www.nwglde.org/evals/veeder_root_j.html		
Product Installation Guide Link	https://www.veeder.com/us/technical-document-library		

Example Installation



Notice

Veeder-Root makes no warranty of any kind with regard to this publication, including, but not limited to, the implied warranties of merchantability and fitness for a particular purpose.

Veeder-Root shall not be liable for errors contained herein or for incidental or consequential damages in connection with the furnishing, performance, or use of this publication.

Veeder-Root reserves the right to change system options or features, or the information contained in this publication.

This publication contains proprietary information which is protected by copyright. All rights reserved. No part of this publication may be photocopied, reproduced, or translated to another language without the prior written consent of Veeder-Root.

Example Illustrations

Illustrations used in this guide for example sensor installations may contain components that are customer supplied and not included with the sensor. Please check with your Veeder-Root Distributor for recommended installation accessories.

Third Party Evaluations

Third party evaluations of the Veeder-Root sensors contained in this application guide can be found under the Veeder-Root vendor name on the National Work Group on Leak Detection Evaluations (NWGLDE) website:

<http://www.nwglde.org>